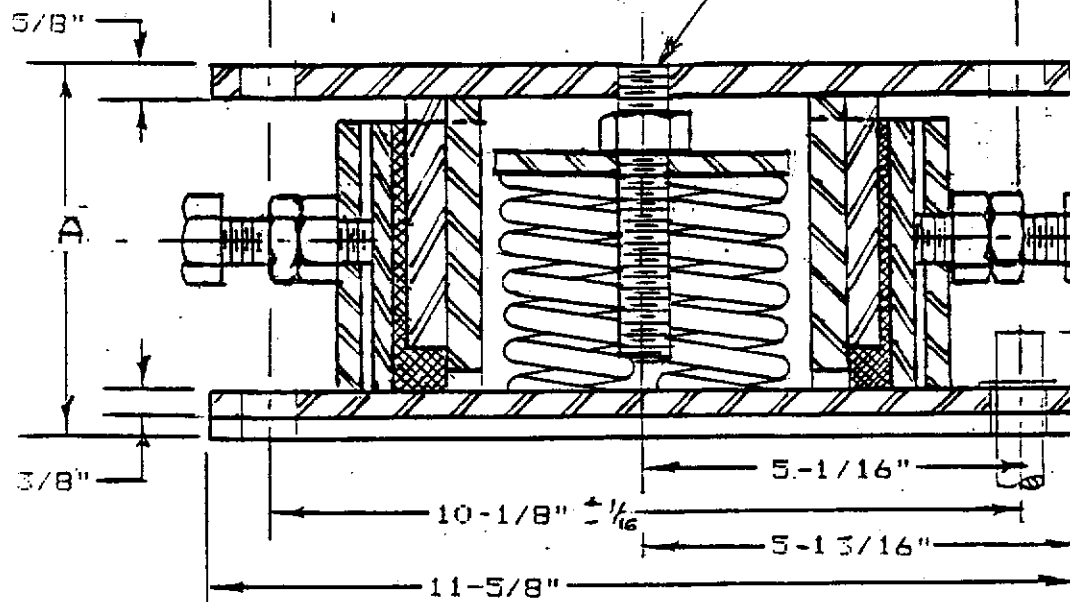


2 - 3/4" Dia Equip. Mtg Holes for 5/8" Dia Bolts

2 - 3/4" Dia Holes for Fdtn Bolts

3/4" Dia Adj Bolt



1-1/2" Max Proj of 5/8" Dia Fdtn Bolts w/ Std Stl Washer & Heavy Jam Nut (by others)

Min. Oper. Ht 5-1/4"
 or Free Ht minus Oper Deflection
 Whichever is Greater

ISOL. NO.	RATED LOAD		"A" MIN FREE HT.
	STEADY	IMPACT	
W 1 4-1	500	---	6 7/8
W 1 4-2	800	---	
W 1 4-3	1200	---	
W 1 4-4	2000	---	
W 1 4-5	2800	---	
W 1 4-6	4800	---	
W 1 4-S5	1300	1040	5 1/2
W 1 4-S6	1800	1440	
W 1 4-S7	2400	1920	
W 1 4-S8	4400	3300	
W 1 4-S9	5200	4900	5 7/8

UNLESS INDICATED

DECIMALS ±
 FRACTION ± 1/8"
 ANGLES ±

RMS FINISH:

✓ MIL-STD-10

SCALE: N.T.S

ASSEMBLY
 TYPE WI-4 COMBINED SNUBBER
 VIBRO ISOLATOR

ISOLATION TECHNOLOGY INC.

P.O. BOX 400
 MASSAPEQUA, N.Y. 11758

012391-2